

Product Installation guide

IP67



-10-50°C

OPERATION TEMPERATURE



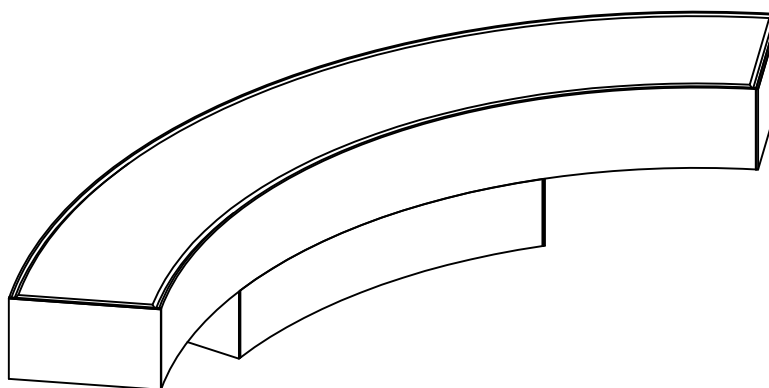
MAKE SURE THE POWER IS OFF DURING INSTALLATION



48V DC Input



RISK OF FIRE AND ELECTRICAL SHOCK



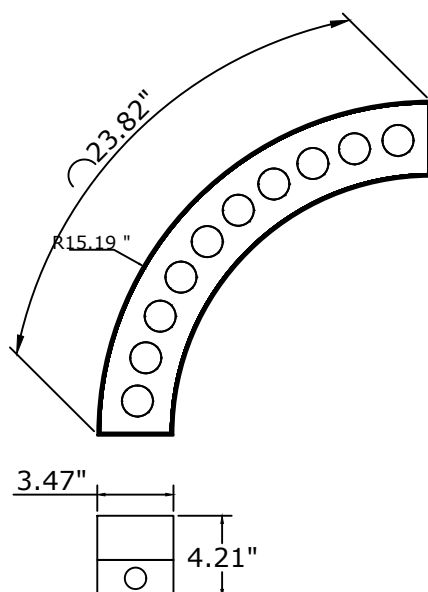
INSTALLATION INSTRUCTIONS

DISCLAIMER

Please read all instructions before beginning installation:

1. Turn off electrical power before starting the installation of the light fixture.
2. The feeding voltage must not exceed the specified fixture voltage.
3. This product must be installed by an eligible electrician.
4. Make sure the luminaire is mounted to a secure structure. Mounting the fixture in inappropriate way could lead to serious injury.
5. Wear gloves and safety glasses at all times when removing the luminaire from carton, installing, servicing or performing maintenance
6. Do not install damaged product! This luminaire is properly packed to avoid being damaged during transit. Inspect to confirm before installation. Any damaged or broken part during or after assembly should be replaced.
7. Unauthorized repairs or modifications will void warranty.

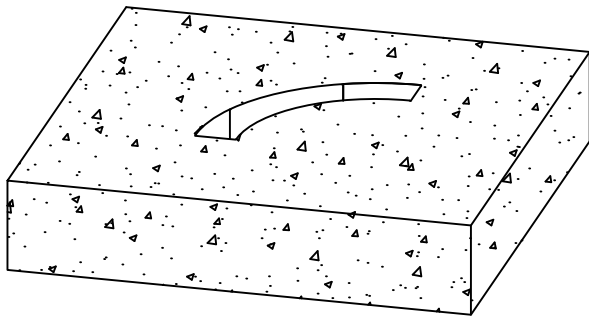
Dimensions:



Dimensions in inch

Product Installation guide

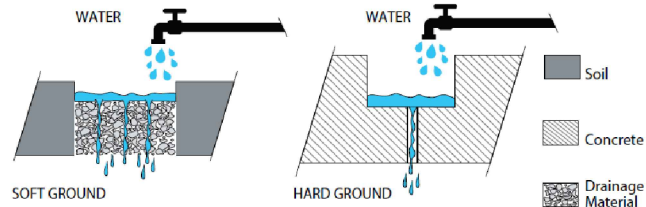
Installing the housing



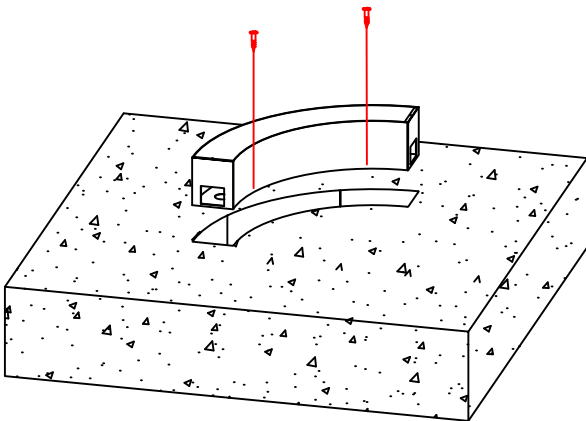
1 Dig in the Ground to get enough space to install the housing with a proper Drainage System.

A proper water drainage system is required with a minimum rate of 0.08 GAL (0.33 Liter) per minute per meter as shown below:

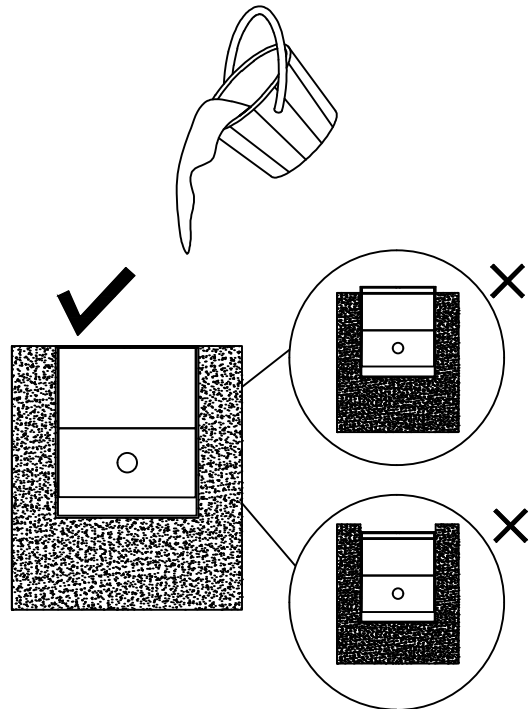
Length	Minimum Drainage Rate
1 ft (30cm)	0.026 gal/min (0.1 l/min)
2 ft (60cm)	0.053 gal/min (0.2 l/min)
3 ft (90 cm)	0.079 gal/min (0.3 l/min)
4 ft (120 cm)	0.105 gal/min (0.4 l/min)
5 ft (150 cm)	0.132 gal/min (0.5 l/min)



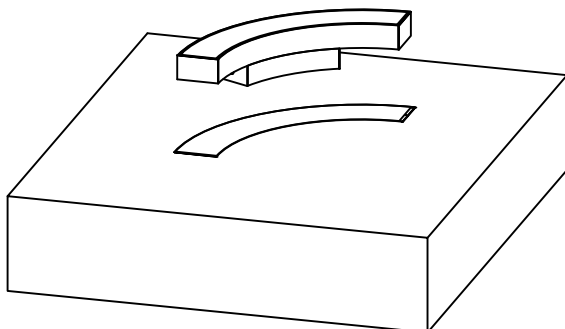
WARNING :
FAILURE TO PROVIDE
PROPER DRAINAGE
WILL VOID PRODUCT
WARRANTY



2 Put the housing in the hole and fix it with screws



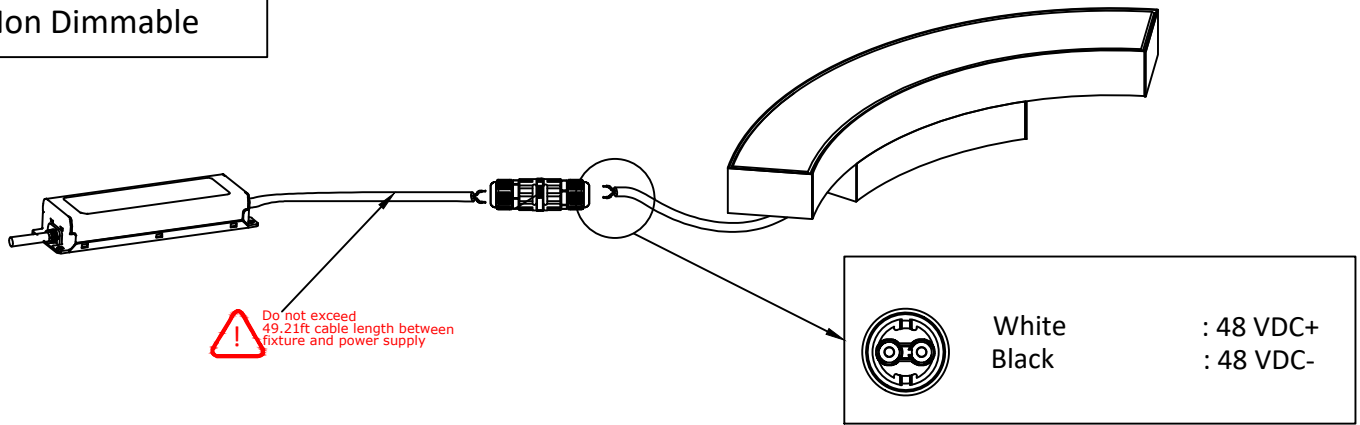
3 Make Sure the surface of the housing is flushed with the ground



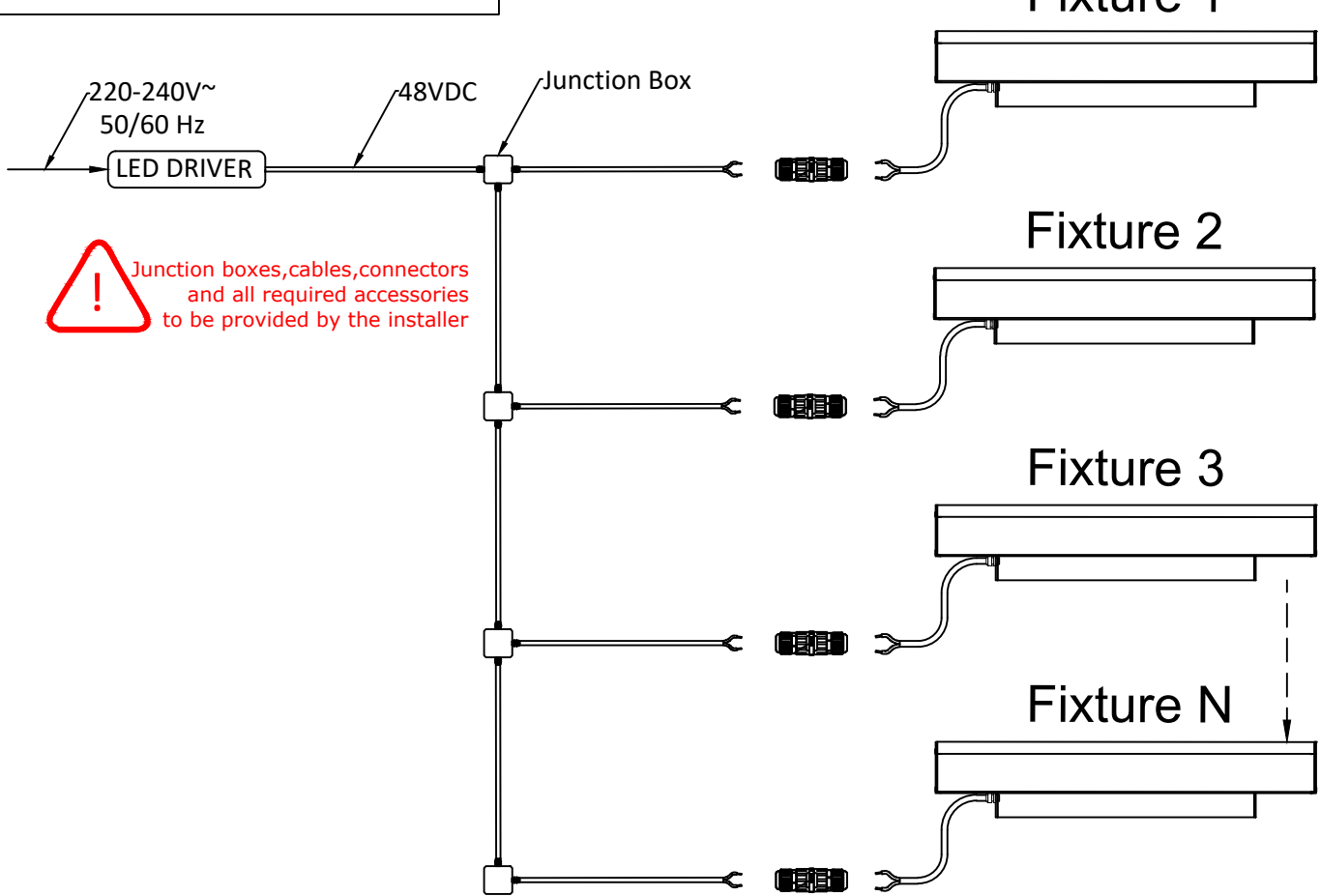
4 Install the luminaire in the housing

Product Installation guide

Non Dimmable

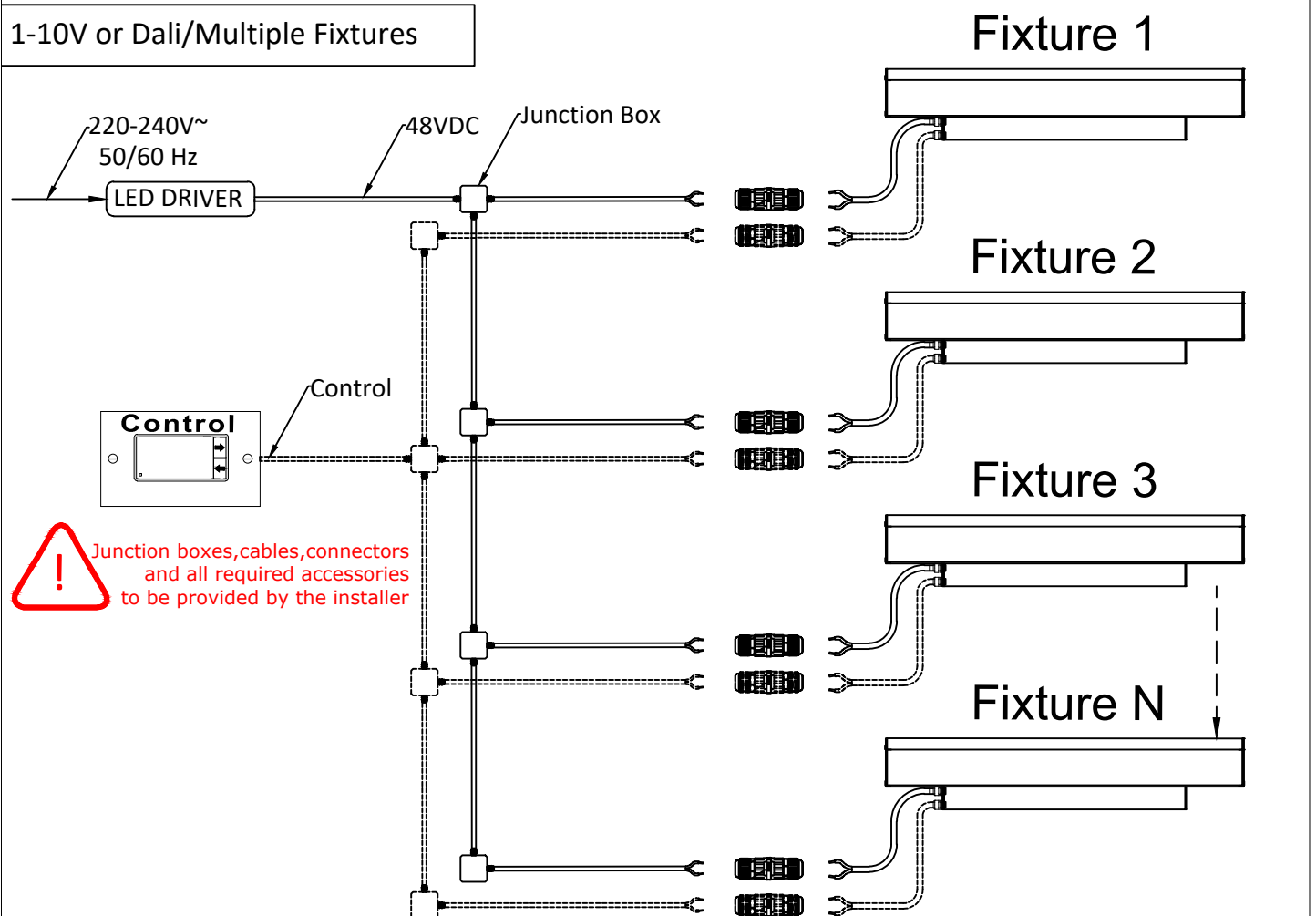
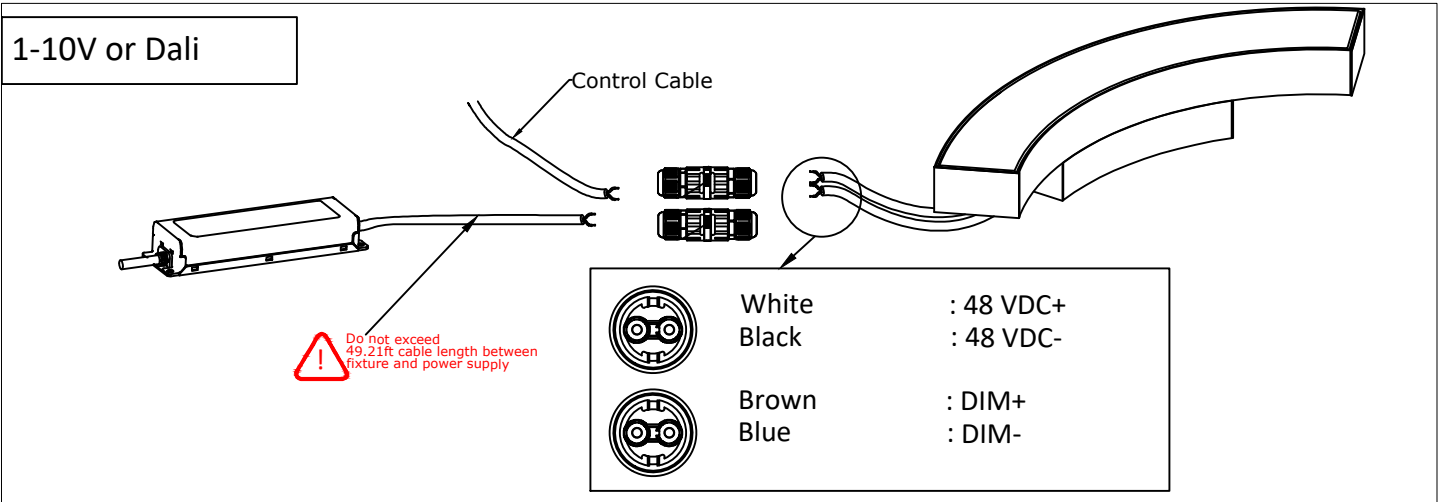


Non Dimmable/Multiple Fixtures



Power input-277V~ 50/60 Hz			
Power Supply	Power N1(11W)	Power N2(15W)	Power N3(21W)
75W-48VDC	N= 5 Fixtures	N= 4 Fixtures	N= 3 Fixtures
100W-48VDC	N= 7 Fixtures	N= 5 Fixtures	N= 4 Fixtures
150W-48VDC	N= 10 Fixtures	N= 8 Fixtures	N= 6 Fixtures
200W-48VDC	N= 14 Fixtures	N= 10 Fixtures	N= 7 Fixtures
Power input-120V~ 50/60 Hz			
Power Supply	Power N1(11W)	Power N2(15W)	Power N3(21W)
75W-48VDC	N= 4 Fixtures	N= 3 Fixtures	N= 2 Fixtures
100W-48VDC	N= 5 Fixtures	N= 4 Fixtures	N= 3 Fixtures
150W-48VDC	N= 7 Fixtures	N= 5 Fixtures	N= 4 Fixtures
200W-48VDC	N= 10 Fixtures	N= 8 Fixtures	N= 6 Fixtures

Product Installation guide



Power input-277V~ 50/60 Hz			
Power Supply	Power N1(11W)	Power N2(15W)	Power N3(21W)
75W-48VDC	N= 5 Fixtures	N=4 Fixtures	N= 3 Fixtures
100W-48VDC	N= 7 Fixtures	N= 5 Fixtures	N= 4 Fixtures
150W-48VDC	N= 10 Fixtures	N= 8 Fixtures	N= 6 Fixtures
200W-48VDC	N= 14 Fixtures	N= 10 Fixtures	N= 7 Fixtures
Power input-120V~ 50/60 Hz			
Power Supply	Power N1(11W)	Power N2(15W)	Power N3(21W)
75W-48VDC	N= 4 Fixtures	N= 3 Fixtures	N= 2 Fixtures
100W-48VDC	N= 5 Fixtures	N= 4 Fixtures	N= 3 Fixtures
150W-48VDC	N= 7 Fixtures	N= 5 Fixtures	N= 4 Fixtures
200W-48VDC	N= 10 Fixtures	N= 8 Fixtures	N= 6 Fixtures